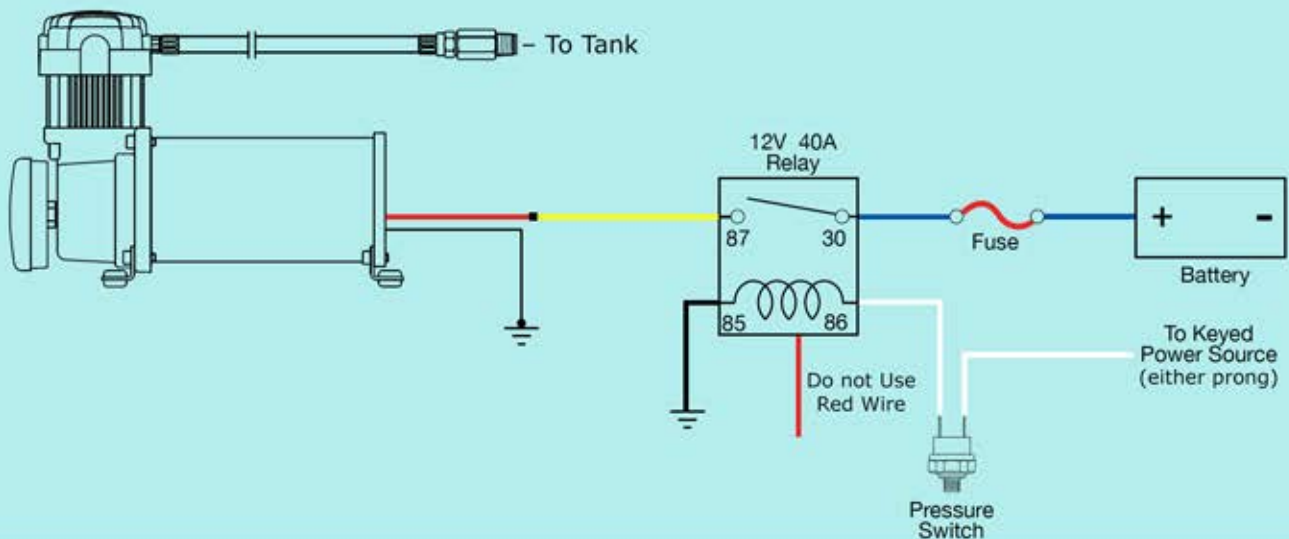
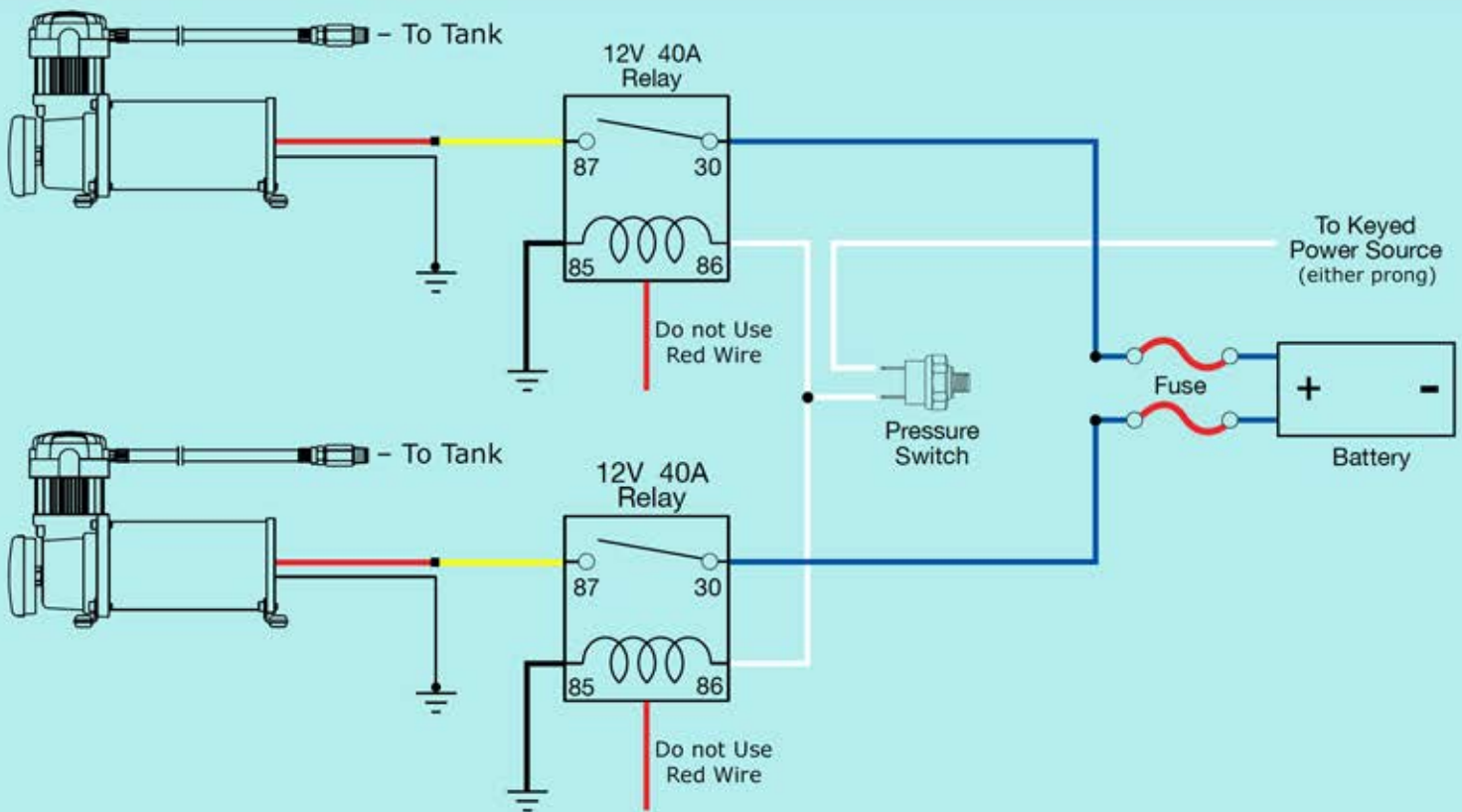


EZ Air Ride Single 444C Wiring Diagram



EZ Air Ride Dual 444C Wiring Diagram



Relays- Relays help to increase the life expectancy of pressure switches by protecting them from the high-amp draw of the compressor. Also, the closer the relay is to the compressor, the less heat will be generated. Excess heat will shorten the life of all of your electrical components. **DO NOT TRY TO POWER ANY OTHER ELECTRICAL DEVICES FROM THE RELAY!** This relay is meant to be a switch for the COMPRESSOR ONLY, NOT VALVES OR MANIFOLDS ETC.

Ground Wire- The ground lead on the compressor should not be extended (if possible). Always connect ground leads directly to the chassis (frame) of the vehicle. Any other grounding method may result in amperage fluctuations that can damage the compressor motor.

Power Wire Type- Fine-stranded, copper wire is ideal for this use. We supply Oxygen-free wire. More strands = more better.

Finally, we advise you to drain your tank periodically based on your level of use.